

# HRT-AL SERIES

**ALUMINUM  
FLUORESCENT  
HAZARDOUS  
CLASS I, DIV. 2  
GROUPS A, B, C & D**



## FEATURES & SPECIFICATIONS:

### Construction

- Heavy-duty formed and welded housing and door frame of copper-free aluminum
- All external hardware is stainless steel to resist corrosion
- One-piece high temperature propylene gasket provides a water-tight seal between the door frame and housing
- Latching system allows for tool-free access to lamp chamber (see inset below)
- 3/4" hub supplied on one end with option for hubs on both ends for thru-wiring
- Standard finish is natural aluminum

### Optical System

- Impact resistant polycarbonate lens is standard, other lenses available
- High reflectance die formed pre-coated aluminum reflector

### Electrical System

- Ballasts are UL listed (UL 935) and CSA certified, Class P, high power factor, Type 1 Outdoor, Type HL
- All electronic ballasts are universal voltage (120-277V,  $\leq 10\%$  THD) operating at 50/60HZ standard
- Cold weather operation to -20°C (T8HO & T12HO) and 0°C (T8)
- Cold weather operation to 0°C with optional battery pack
- Lamps are supplied standard on both 2' & 4' models

## LISTINGS:

- UL/CUL Listed (UL 844)  
Class I, Div. 2 Groups  
A, B, C & D
- UL Listed (UL 1595A)  
Marine/Outdoor use
- IP 66

## APPLICATIONS:

- Waste water treatment plants
- Pulp and paper mills
- Chemical plants
- Pharmaceutical plants
- Mining
- Cold storage
- Hazardous storage areas
- Corrosive environments

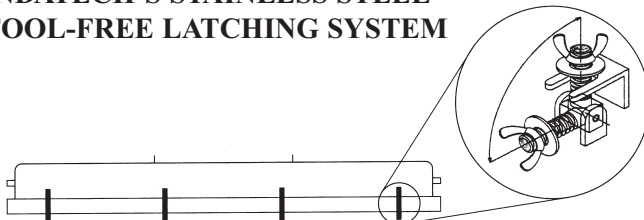
## OPTIONS:

- Emergency battery  
(1 or 2 lamps, 350-575 lumens)
- Fusing (Non-Marine)
- Adjustable mounting bracket kit
- 3/4" size hubs on both ends  
for thru wiring
- 4' Stainless steel safety cable

## Shipping Weight:

- 14 LBS

## INDATECH'S STAINLESS STEEL TOOL-FREE LATCHING SYSTEM



# HRT SERIES ALUMINUM

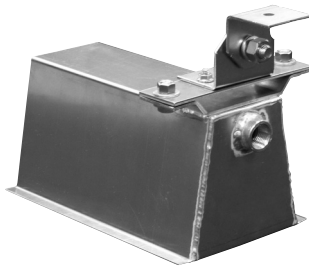
## ORDERING INFORMATION

SERIES	# OF LAMPS	LAMP TYPE	VOLTAGE	OPTIONS
<b>HRT4</b>	<b>2</b>	<b>32</b>	<b>U</b>	-----
<b>SERIES</b> HRT2 = 2' HRT4 = 4'	<b># OF LAMPS</b> 1 = 1 LAMP 2 = 2 LAMPS	<b>LAMP TYPE</b> 14 = 2', 14WT5 17 = 2', 17WT8 24H = 2', 24WT5HO 28 = 4', 28WT5 32 = 4', 32WT8 44H = 4', 44WT8HO 48H = 4', 60WT12HO 54H = 4', 54WT5HO	<b>VOLTAGE</b> U = 120-277 (<10% THD)	<b>OPTIONS</b> EMH = EMERGENCY BATTERY PACK (4' ONLY) F = FUSING (NON-MARINE/FAST BLOW) SC4 = 4' STAINLESS STEEL SAFETY CABLE TW = 3/4" HUBS ON BOTH ENDS FOR THRU WIRING LL = LESS LAMPS

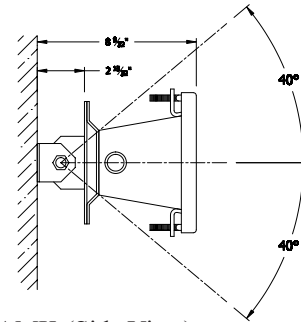
## MOUNTING ACCESSORIES

\*\*Mounting hardware is **not** included with fixtures and must be ordered separately

\*\*Mounting kits include two brackets and hardware



AMK = Adjustable Mounting Kit - Aluminum



AMK (Side View)

## DIMENSIONS

