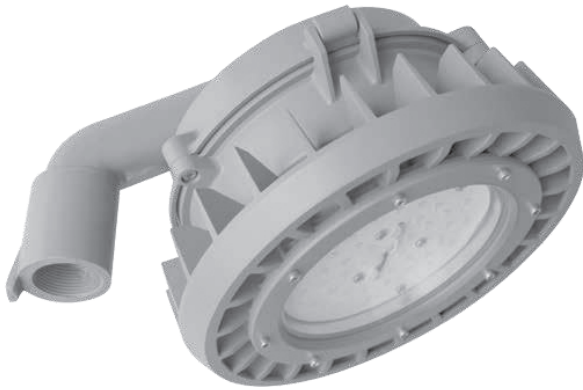


FEL-D SERIES
ALUMINUM OR
STAINLESS STEEL LED
HAZARDOUS
CLASS I, DIVISION 2
CLASS II, DIVISION 1
CLASS III



FEATURES & SPECIFICATIONS:

Construction/Optical

- Heavy-duty die cast aluminum housing ensures excellent thermal dissipation
- Tempered glass lens ensures minimal lumen depreciation
- 110° distribution pattern

Electrical System

- Maximum Output 9,750 lumens
- 150 lumens per watt
- Operating Temperature -40°C TO 55°C
- Meanwell driver operates at 120-277v, 50/60 Hz
- Phillips LED's, CRI > 70 at 5000K
- 5 year warranty when installed per instructions

LISTINGS:

- UL/CUL Listed (UL 844)
- Class I, Division 2, Groups A, B, C & D
- Class II, Division 1, Groups E, F & G
- UL Listed (UL 1598A) Marine/Outdoor Use
- IP 66
- DLC Premium

APPLICATIONS:

- Waste Water Treatment Plants
- Pulp and Paper Mills
- Chemical Plants
- Pharmaceutical Plants
- Mining
- Cold Storage Facilities
- Hazardous Storage Areas
- Corrosive Environments
- Coastal Marine Areas

OPTIONS:

- Available in 45w and 65w
- Multiple Mounting Options (Bracket Standard)

SHIPPING WEIGHT/DIMENSIONS

- 11 lbs
- 13"x12"x8.5"



5 Years Warranty



Long Life
50000 Hours



150lm/w

Spanning the Globe with Quality Lighting

www.indatechlighting.com

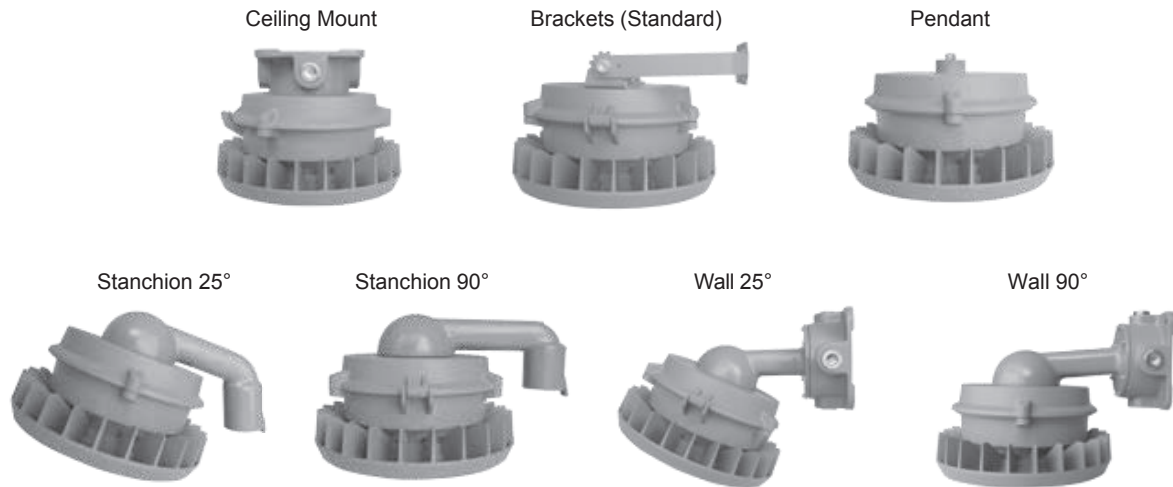
5910 West By Northwest Boulevard, #100 • Houston, Texas 77040 • (866) 563-2832 • Fax (713) 937-3604

FEL-D SERIES

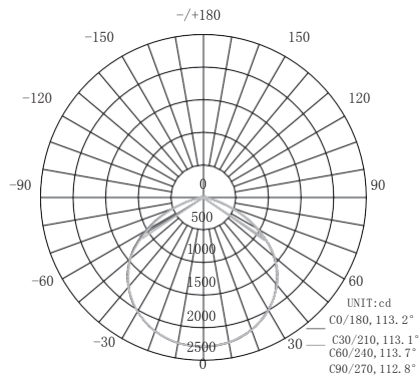
ORDERING INFORMATION

SERIES/LENGTH	LED WATTAGE	VOLTAGE	OPTIONS
FEL-D	**	U	
SERIES/LENGTH FEL-D	LED WATTAGE 45 = 45W (6,750 LUMENS) 65 = 65W (9,750 LUMENS)	VOLTAGE U = 120-277V (50/60 HZ)	OPTIONS *BRACKET MOUNT COMES STANDARD CM = CEILING MOUNT PM = PENDANT MOUNT SM25 = STANCHION MOUNT 25° SM90 = STANCHION MOUNT 90° WM25 = WALL MOUNT 25° WM90 = WALL MOUNT 90°

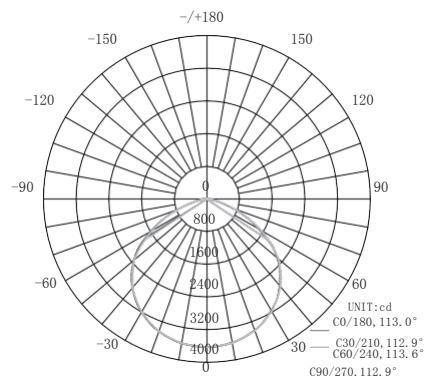
MOUNTING OPTIONS



DISTRIBUTION PATTERNS



AVERAGE BEAM ANGLE(50%):113.2 DEG
NJZ-FEL-D-45



AVERAGE BEAM ANGLE(50%):113.1 DEG
NJZ-FEL-D-65