

FEL-C SERIES
EXPLOSION PROOF LED
CLASS I, DIVISION 1
CLASS I, DIVISION 2
CLASS II, DIVISION 2
CLASS III



FEATURES & SPECIFICATIONS:

Construction/Optical

- Die cast aluminum housing ensures excellent thermal dissipation
- Tempered glass lens ensures minimal lumen depreciation
- 120° distribution pattern standard, also available in 25° and 60°

Electrical System

- Maximum Output 19,500 lumens at 150 watts
- 130 lumens per watt
- Operating Temperature -40°C TO 60°C
- Meanwell driver operates at 120-277v, 50/60 Hz
- Cree LED's, CRI > 70 at 5000K
- 5 year warranty when installed per instructions

LISTINGS:

- UL844
- Class I, Division 1, Groups C & D
- Class I, Division 2, Groups A, B, C & D
- Class II, Division 2, Groups F & G
- Class III
- UL1598A, Marine Outdoor Use
- IP 66
- DLC Premium

APPLICATIONS:

- Paint Booths
- Waste Water Treatment Plants
- Shipyard Facilities
- Coastal Marine Areas
- Chemical Plants
- Pharmaceutical Plants
- Cold Storage Facilities
- Hazardous Storage Areas
- Corrosive Environments

OPTIONS:

- Various Distribution Patterns (120° Standard)
- 480V (120-277v Standard)

SHIPPING WEIGHT/DIMENSIONS

- 35 lbs
- 13"x11"x7"



5 Years Warranty



Long Life
50000 Hours



130lm/w

Spanning the Globe with Quality Lighting

www.indatechlighting.com

5910 West By Northwest Boulevard, #100 • Houston, Texas 77040 • (866) 563-2832 • Fax (713) 937-3604

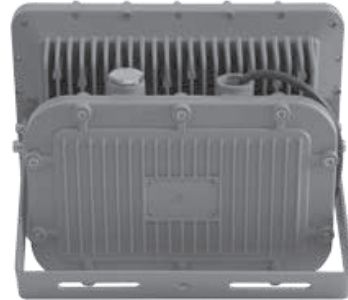
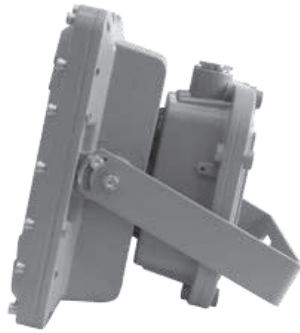
FEL-C SERIES

ORDERING INFORMATION

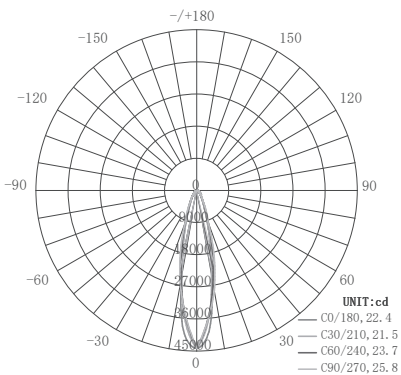
SERIES/LENGTH	LED WATTAGE	VOLTAGE	OPTIONS
FEL-C	***	U	
SERIES/LENGTH FEL-C	LED WATTAGE 80 = 80W (10,400 LUMENS) 100 = 100W (13,000 LUMENS) 150 = 150W (19,500 LUMENS)	VOLTAGE U = 120-277V (50/60 HZ) 480 = 200-480V	OPTIONS 25 = 25° DISTRIBUTION 60 = 60° DISTRIBUTION (120° STANDARD)

MOUNTING

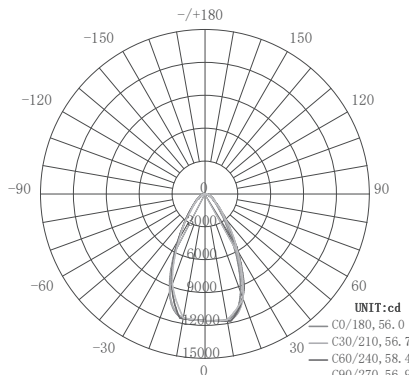
Adjustable Mounting Bracket



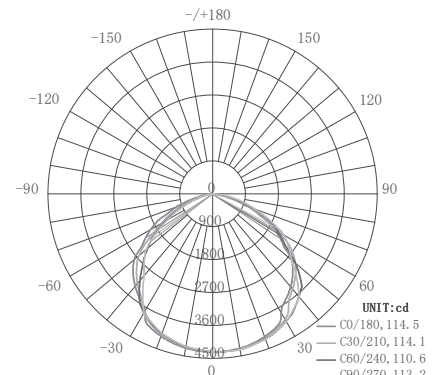
DISTRIBUTION PATTERNS



AVERAGE BEAM ANGLE(50%):23.4 DEG



AVERAGE BEAM ANGLE(50%):57.0 DEG



AVERAGE BEAM ANGLE(50%):113.1 DEG